

Figure 1.

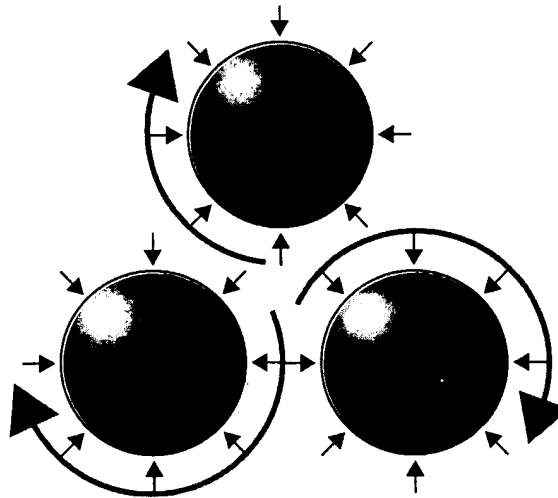


Figure 2.



Revised Date: 11/09/2004
Application No. 10/726,487
Filing Date: 12/04/2003
First Named Inventor: Ramgopal Vissa
Confirmation No. 7523
Examiner: Fastovsky, Leonid M
Art Unit: 3742
Date Mailed by Examiner: 11/01/2004
Date Returned from Inventor: 11/09/2004

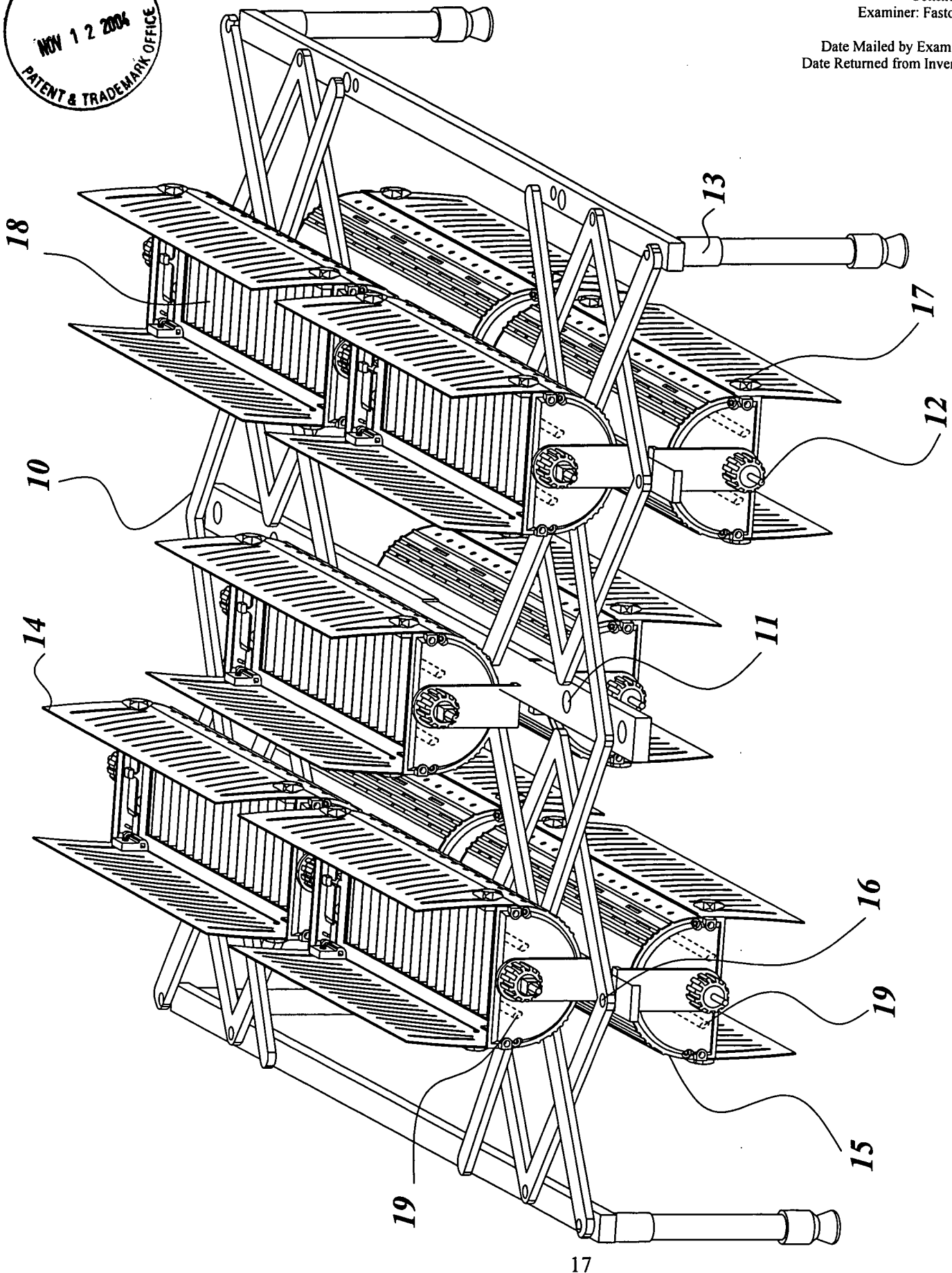


Figure 3

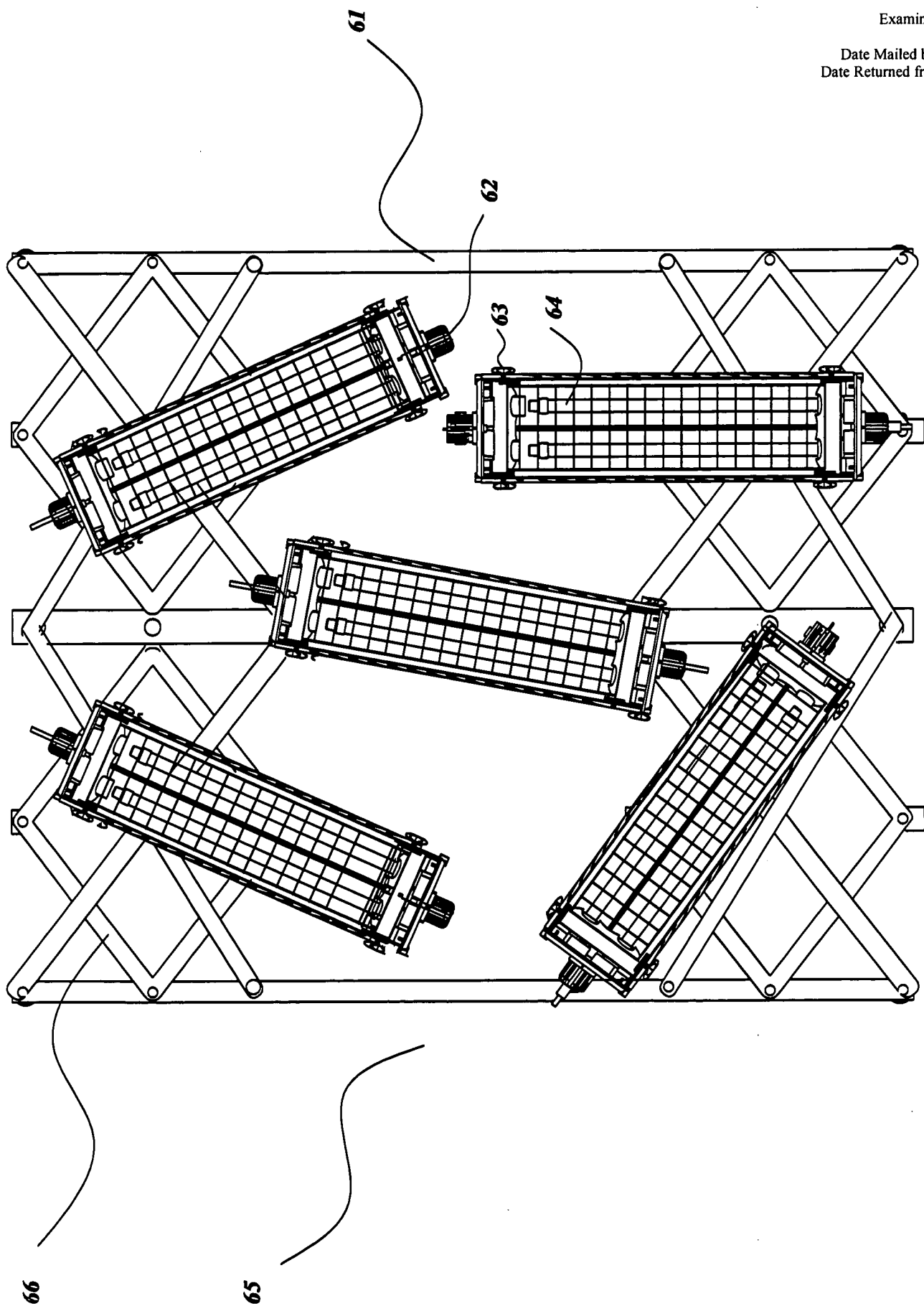


Figure 4

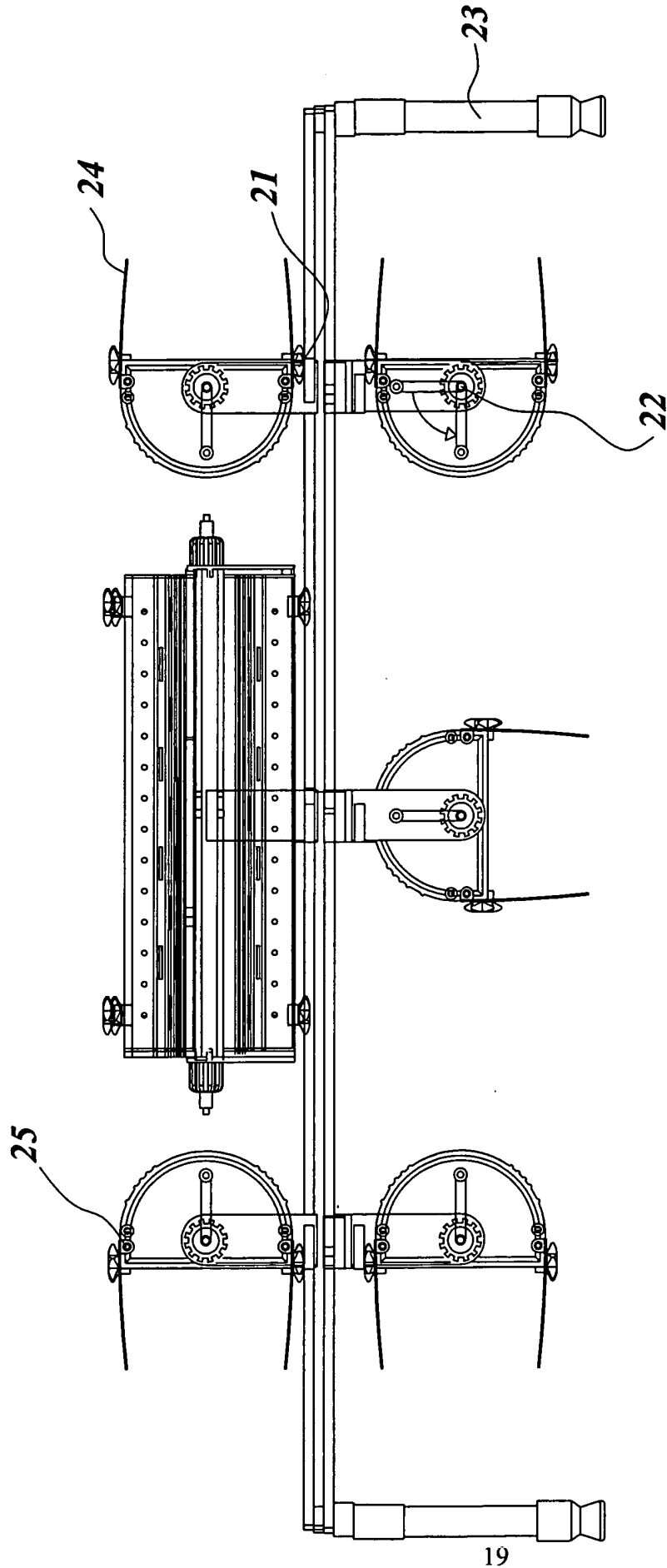


Figure 5

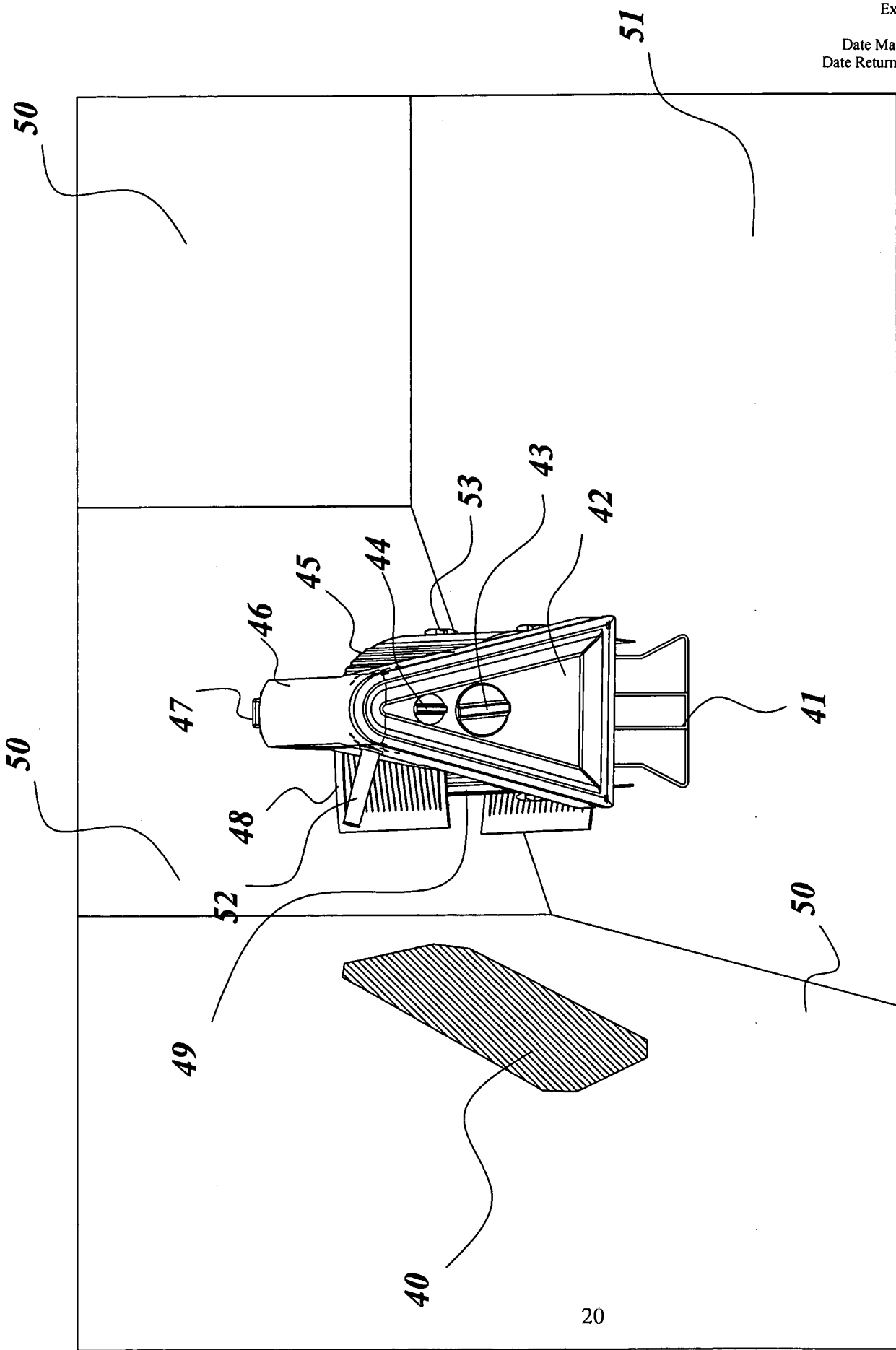


Figure 6

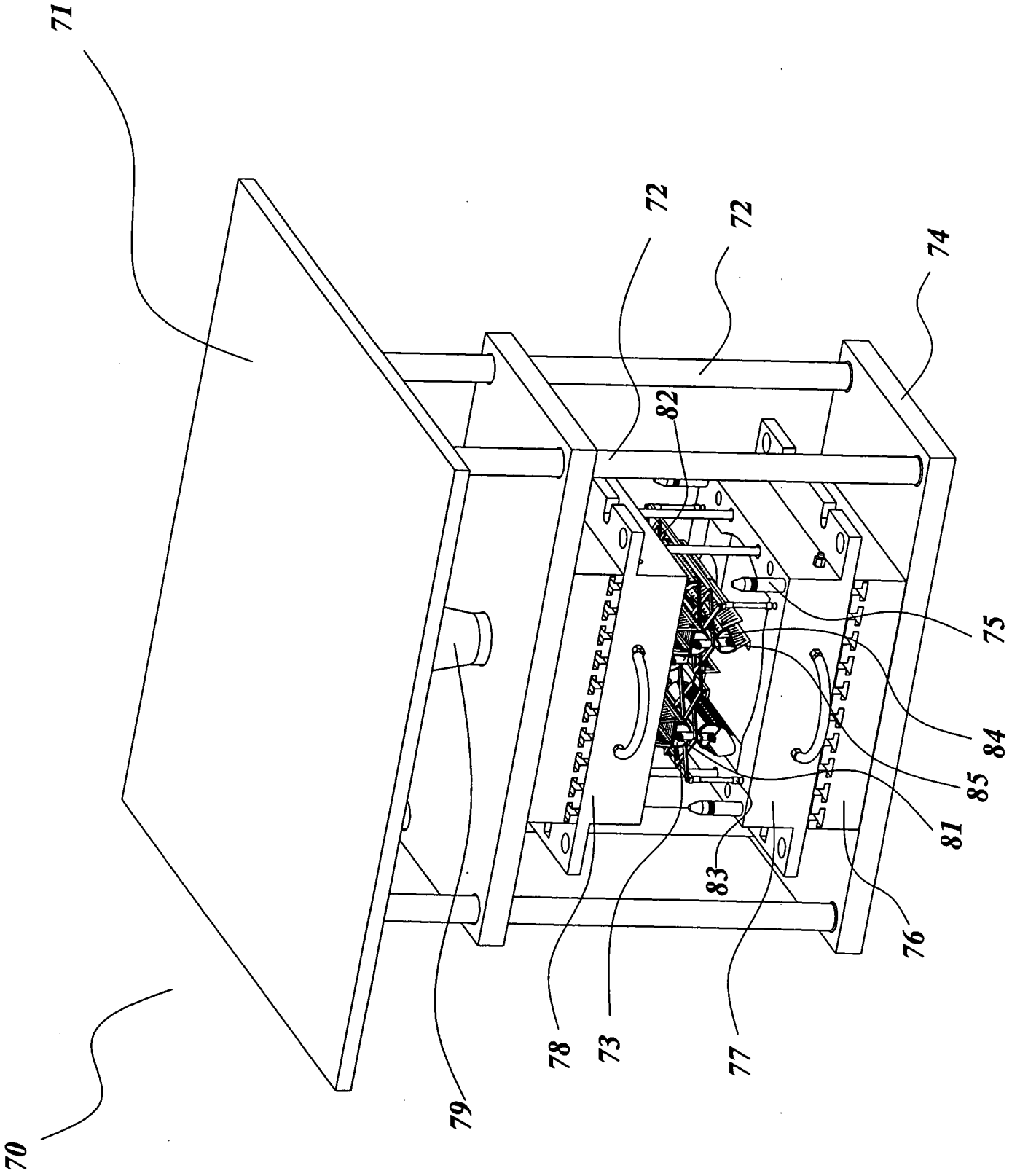


Figure 7